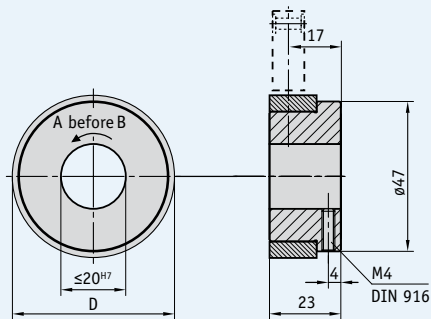


### Profile

- Easy hollow-shaft mounting
- Rotary encoder system with IP67 protection category (in combination with MSK320)
- Up to 1280 pulses/revolution ( $\approx 5120$  increments)



### Mechanical data

Feature	Technical data	Additional information
Pole length	2.453 mm	
Measurement range	360°	
System accuracy	$\pm 0.5^\circ$	
Operating temperature	0 ... +60 °C	
Storage temperature	-20 ... +85 °C	
Humidity	100 % rh	condensation permitted
Flange material	aluminum	

### Dimensions

Pole	64
Diameter D (mm)	50
Circumference (mm)	157
Speed n (rpm)	9554.14

### Pulses/revolution

		Number of poles 64
Scaling factor of sensor	20	1280
	16	1024
	10	640
	8	512
	5	320
	4	256
	1	64

The table applies to the combination of MRI01 with MSK320

## Order

### Order table

Feature	Order data	Specifications	Additional information
Number of poles	64 A	64 poles distributed on circumference others on request	
Bore diameter	20 B	20 H7	max. 20 H7
	9	9 H8 others on request	

### Order code

MRI01 -  -  - MNG

**Scope of delivery:** MRI01, User information

**Additional information:**

Short Description, Technical Details  
Product Overview

Page 136 cont.  
Page 4 cont.